

Parts needed to mount the STOS-ALU extrusion



Exrusion (A)



End caps (B)



Cover (C)



LED strip (D)



Clip (E)



Mounting strip
TEST-36 (F)



Mounting strip
TEST-74 (G)

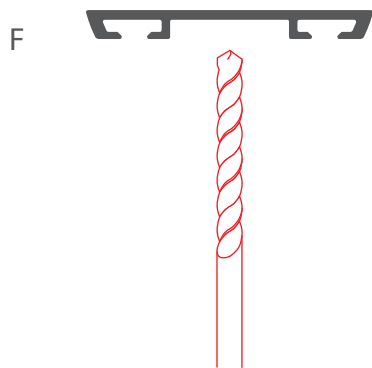
Tools needed for mounting:

- drill
- screwdriver
- screws

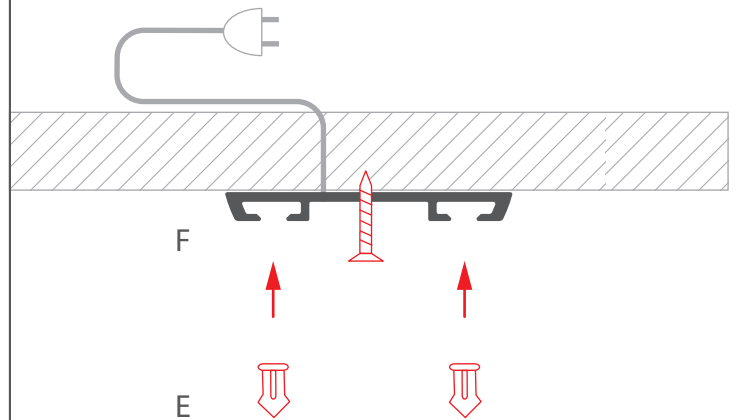
NOTE! All LED strips must be connected to a 12 V or 24 V power supply.

IMPORTANT: The manual presents the simplest mounting procedure.
More mounting procedures and related accessories can be found at www.klusdesign.eu

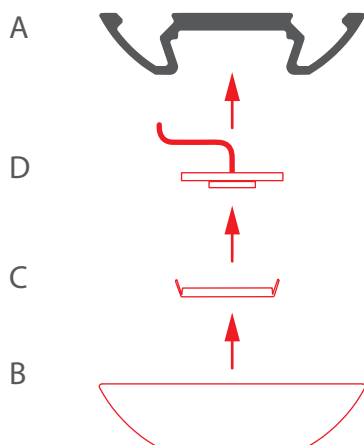
1. Drill holes in the mounting strip (F).



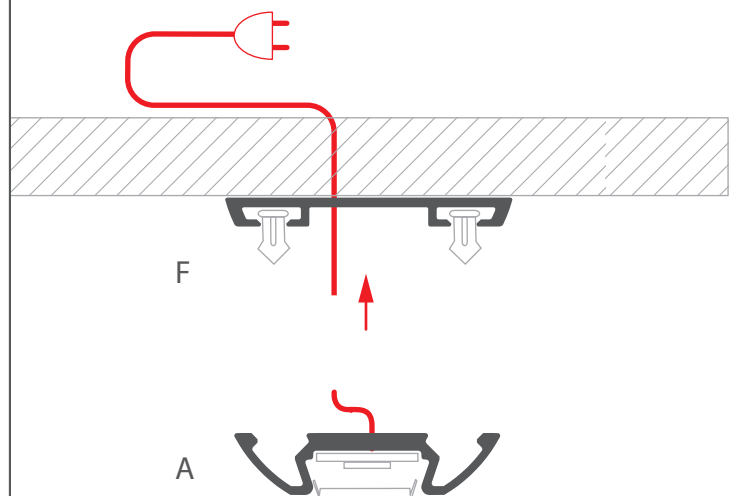
2. Mount the mounting strip (F) using screws and insert the clip (E).



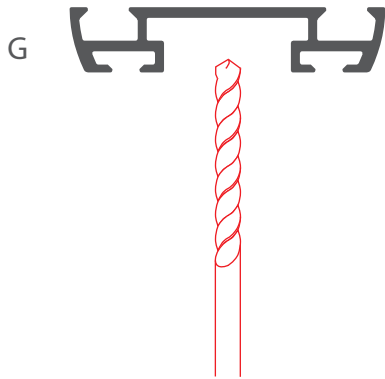
3. Mount the LED strip (D), insert the cover (C), and then insert the end cap (B). Feed the power cable.



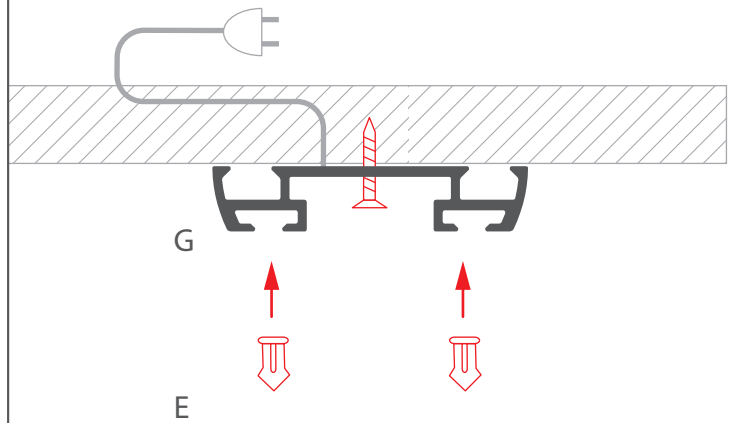
4. Attach the extrusion (A) to the mounting strip (F) and connect power.



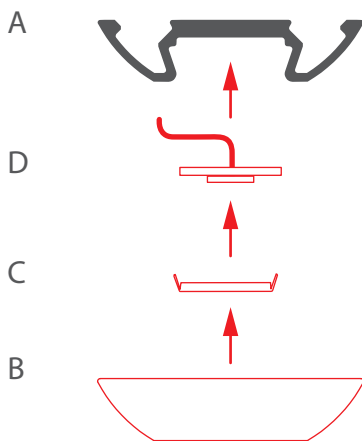
1. Drill mounting holes in the mounting strip (G).



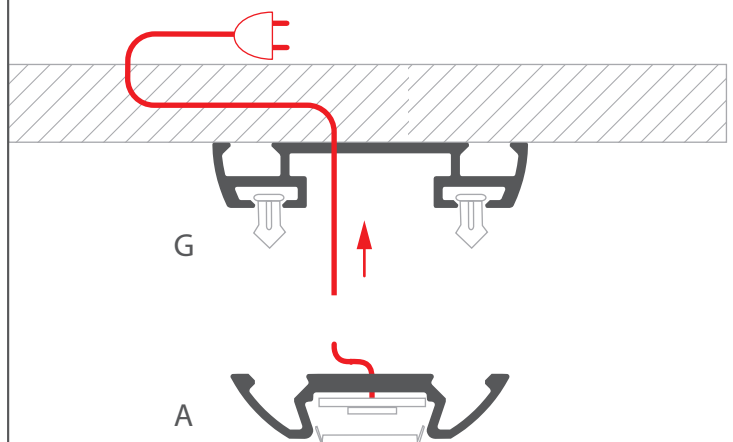
2. Attach the mounting strip (G) with screws and insert the clips (E).



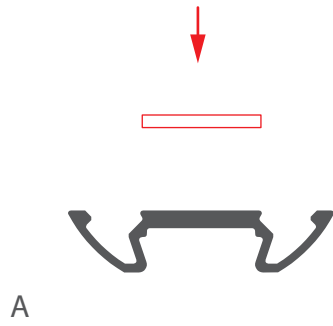
3. Mount the LED strip (D), insert the cover (C), and then insert the end cap (B).



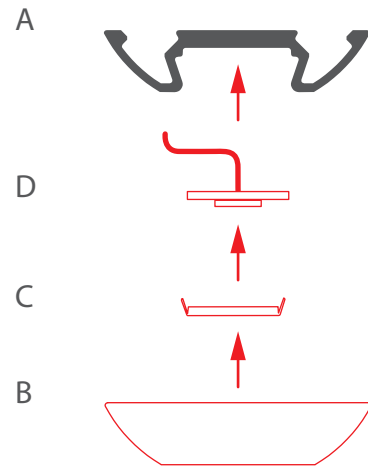
4. Attach the extrusion (A) to the mounting strip (G) and connect power.



1. Attach the adhesive tape to the mounting surface.



2. Mount the LED strip (D), insert the cover (C), and then insert the end cap (B).



3. Attach the extrusion (A) to the surface and connect power.

