

Parts needed to mount the REGULOR extrusion



Extrusion (A)



LED insert (B)



End caps (C)



Cover (D)



LED strip (E)

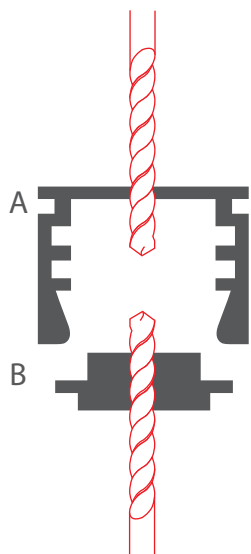
Tools needed for mounting:

- double-sided tape

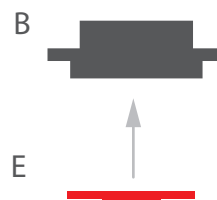
NOTE! All LED strips must be connected to a 12 V or 24 V power supply.

IMPORTANT: The manual presents the simplest mounting procedure. More mounting procedures and related accessories can be found at www.klusdesign.eu

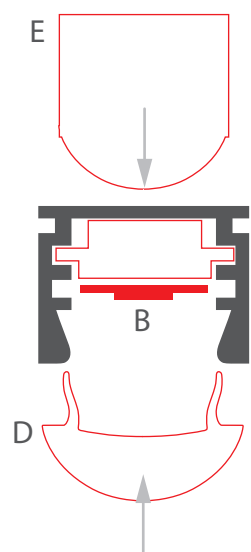
1. Drill holes in the extrusion (A) and the LED insert (B) to run the power cables.



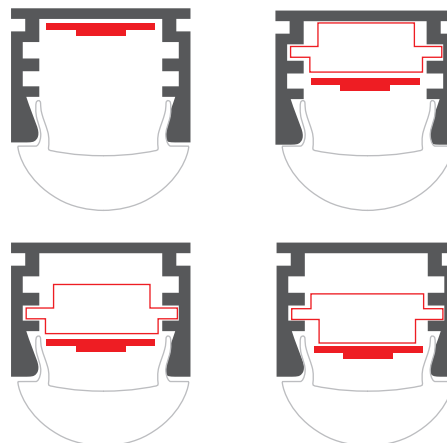
2. Put the LED strip (E) on the insert (B).



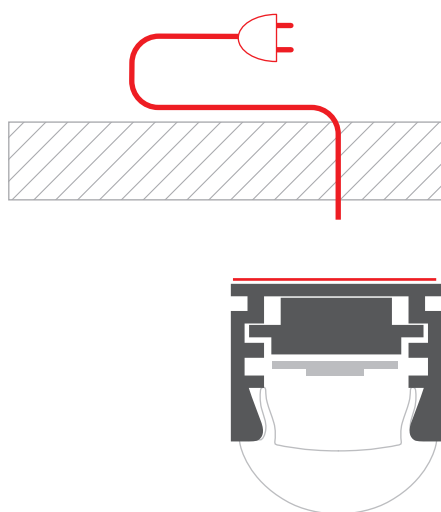
3. Slide the LED insert (B) into a selected channel, insert the cover (D) and end caps (E).



4. NOTE! The LED insert can be mounted in three different positions. It is also possible to attach the LED strip directly to the bottom of the extrusion. The smaller the distance between the LED strip and the cover, the wider the light angle.



5. Apply double-sided tape to the back of the extrusion (A) and lead out the power cable.



6. Attach the extrusion (A) to the surface.

