

**Parts needed to mount the TOST extrusion**



Extrusion (A)



End caps (B)



Cover (C)



LED strip (D)

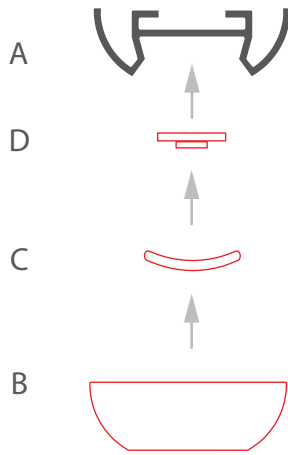
**Tools needed for mounting:**

- double-sided tape

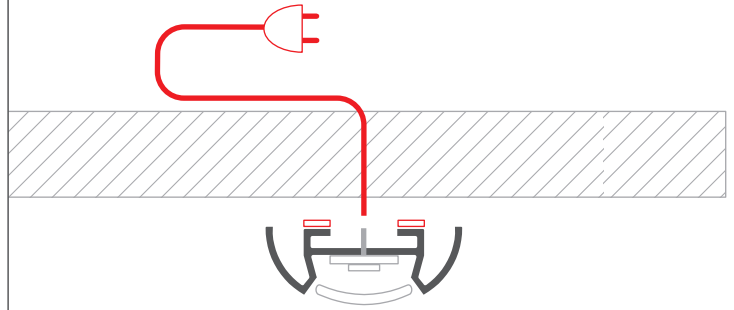
**NOTE!** All LED strips must be connected to a 12 V or 24 V power supply.

**IMPORTANT:** The manual presents the simplest mounting procedure. More mounting procedures and related accessories can be found at [www.klusdesign.eu](http://www.klusdesign.eu)

**1.** Mount the LED strip (D), insert the cover (C), and insert the end cap (B).



**2.** Apply the double-sided tape to the extrusion (A).



**3.** Connect power to the LED strip and attach the extrusion (A) to the surface.

