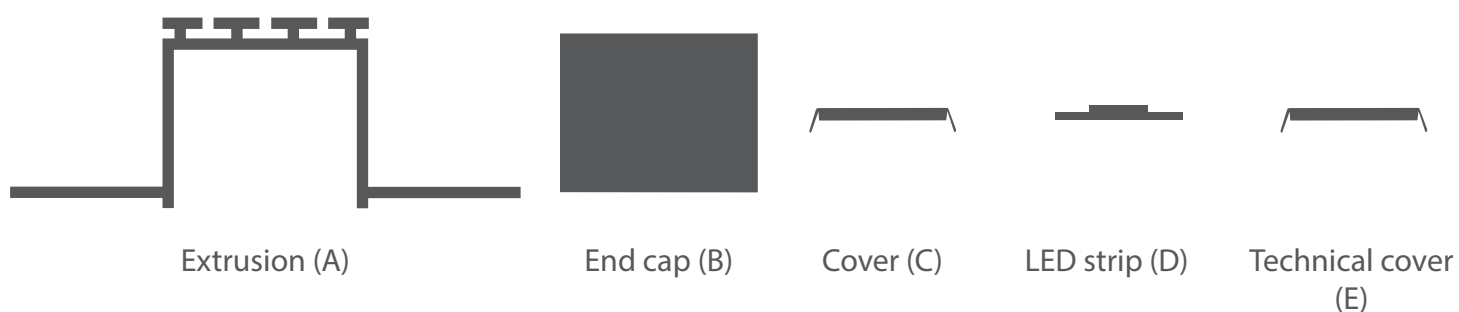


Parts needed to mount the KOZEL extrusion



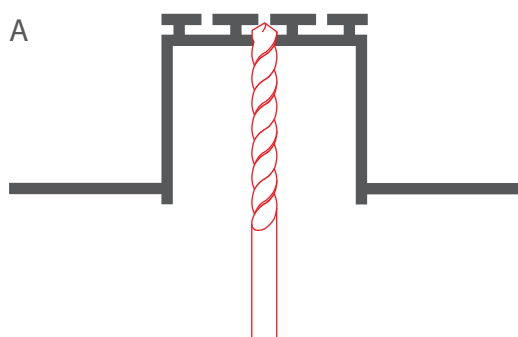
Tools needed for mounting:

- mounting glue

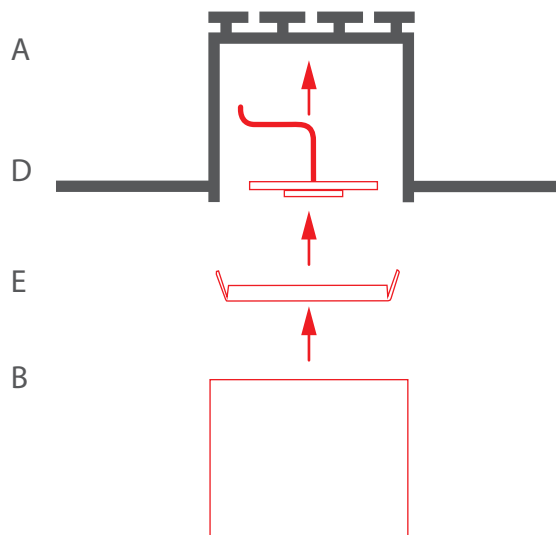
NOTE! All LED strips must be connected to a 12 V or 24 V power supply.

IMPORTANT: The manual presents the simplest mounting procedure.
More mounting procedures and related accessories can be found at klusdesign.eu

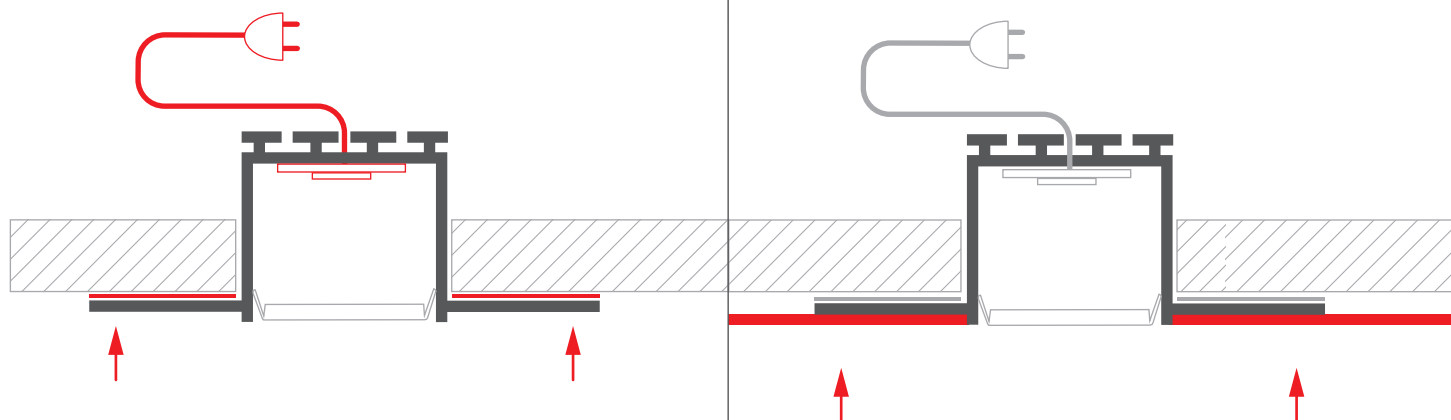
1. Drill a hole in the extrusion for the power cable.



2. Mount the LED strip (D) in the extrusion, lead out the power cable, insert the technical cover (E) and then insert the end cap (B).

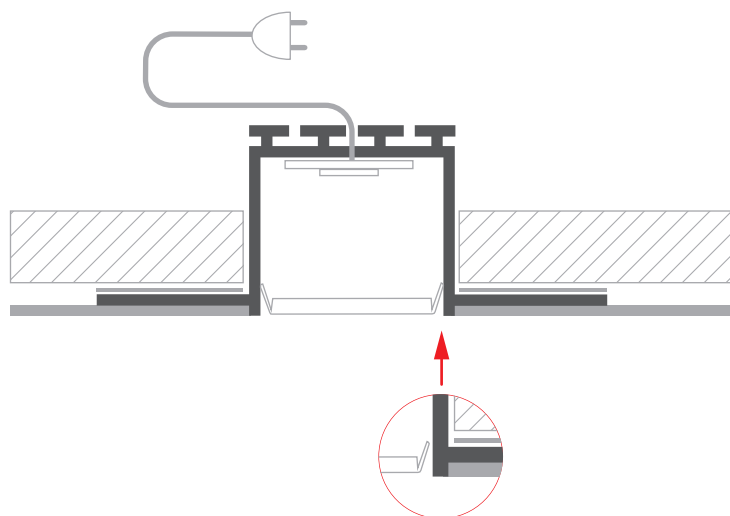


3. Attach the extrusion (A) to the ceiling surface with glue and connect the power cable.



4. Apply a layer of plaster to the extrusion and ceiling, and then paint the surface to finish.

5. Slide a sharp tool between the extrusion and the cover (on both sides of the cover) to cut off the layer of plaster and paint from the cover. Next remove the technical cover.



6. Insert the cover (C) in place of technical cover (E).

