

**Parts needed to mount the LARKO-50 extrusion**



Extrusion (A)



End caps (B)



Cover (C)



LED strip (D)



Springs (E)

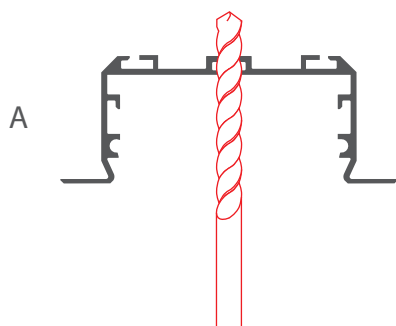
**Tools needed for mounting:**

- springs for grooves
- screwdriver

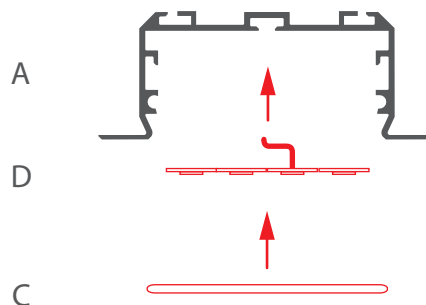
**WARNING!** All LED strips should be connected to a 12 V or 24 V power supply.

**IMPORTANT:** The mounting instructions present the basic form of assembly. More methods and related accessories can be found at [www.KlusDesign.eu](http://www.KlusDesign.eu)

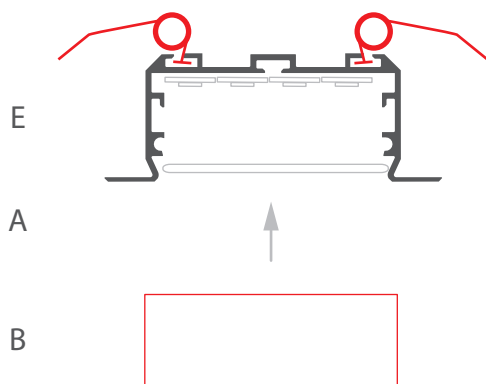
**1.** Drill a hole in the extrusion for the power cable.



**2.** Mount the LED strip (D) in the extrusion, lead out the power cable, insert the cover (C).



**3.** Insert springs (E) into the extrusion channels and screw the end cap (B).



**4.** Connect power and mount the extrusion (A) by bending the springs.

