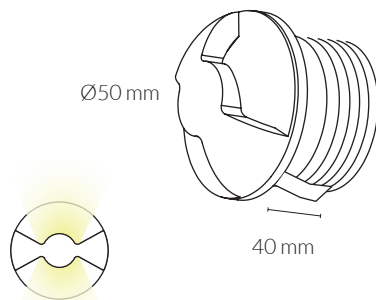
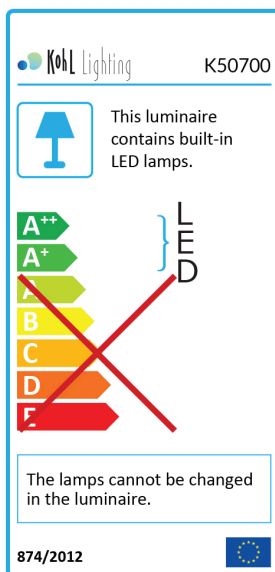




MEASURES



ENERGY LABEL



GENERAL DETAILS

REFERENCE:	K50700
INSTALLATION:	Recessed with frame
EXTERNAL FINISH:	White
MATERIAL:	Aluminium
IP DEGREE:	IP20
FORM:	Round
LIGHT DIRECTION:	Fixed
UTILIZATION:	Indoor
WARRANTY:	2 years

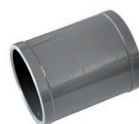
GENERAL DIMENSIONS

HEIGHT:	40 mm
MINIMUM DISTANCE TO ILLUMINATED OBJECT:	0.5 m
CUT OUT:	Ø35 mm
MINIMUM HEIGHT OF FALSE CEILING:	65 mm

ELECTRICAL DETAILS


LAMP:	LED
PROTECTION CLASS:	□
WATTS:	3 W
EFFICIENCY 3000K:	92 lm/W
3000K lm:	275 lm
ENERGETIC EFFICIENCY:	A+
DRIVER:	Included
mA:	300 mA
VOLTAGE:	230V
LIFE TIME:	35.000 h
CRI:	≥ 80

ACCESORIES



TUBO PVC - PVC TUBE

Accesorio de fijación
Fitting accessory

KAC50700  Ø40mm