

Wall mounted RGB/W 1-10V signal

SR-2811-1-10V



Feature

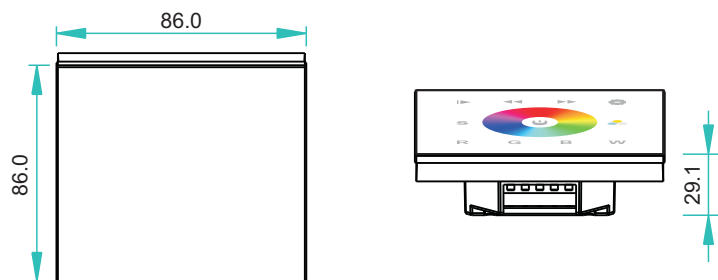
- 1 zone
- Output 1-10V signal
- Touch sensitive
- Glass interface(White & Black)
- Save color and mode function



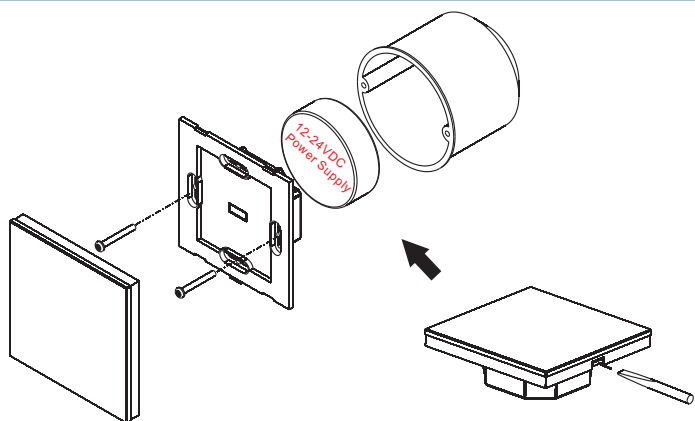
Parameter

Part No.	Input Voltage	Output	Size
SR-2811-1-10V	24VDC	1-10V Signal	86x86x29.1

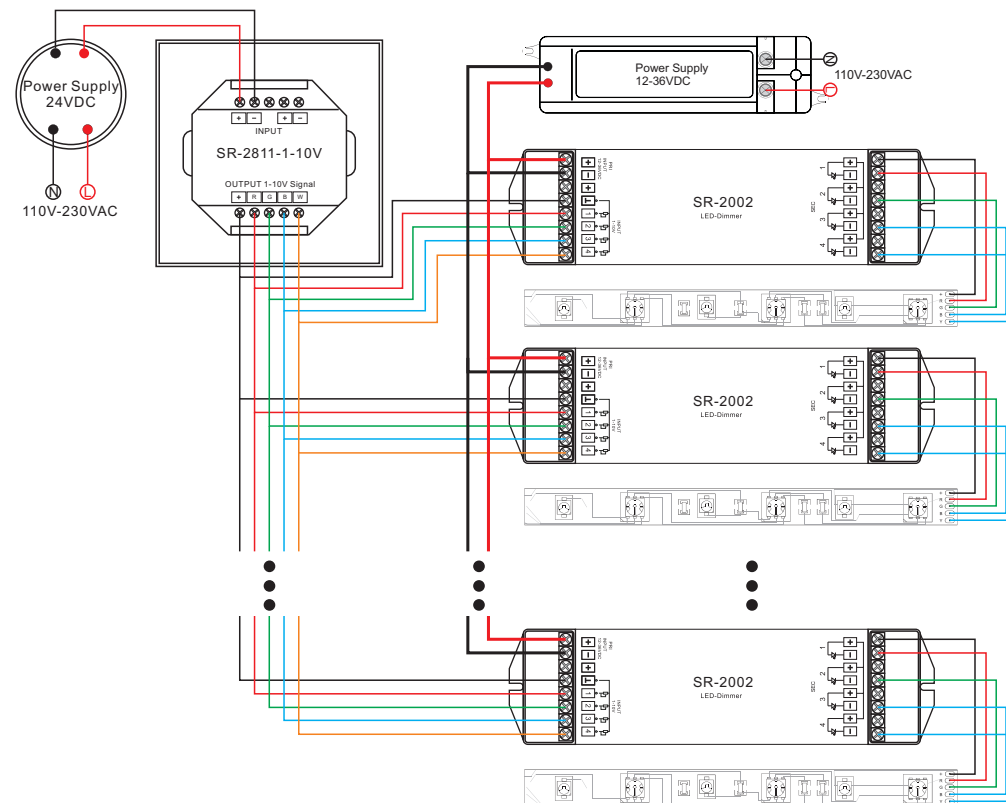
Product Size



Installation



Wiring diagram



Operation

- ▶ Play&pause button. There is only 1 build-in mode. When you touch ▶ this button, it will run.
- ⚙ Brightness ◀ Speed down ▶ Speed up
- S Button can save the color from mode or save color when you touch color wheel. In "S" button, it saved "R/ G/ B" 3 colors in default. But with your operation, you can save another 3 colors replace those R/G/B colors.

When you press ▶ this button, 1 build-in mode will run, if now you see a favorite mode, then you can press "S" button for 5 seconds until connected lighting flashes. Then it saved successfully. When you touch color wheel, if you touch a favorite color on it, then you want to save it, then you press "S" button for 5 seconds until the connected lighting flashes. Then it saved successfully.

- 🌈 For Warm white, Natural white, Cool white changing. (Through the three RGB color mixing)
- 🌈 Touching wheels ⏻ Switch off and on, long press means default setting
- R G B W Short press means switch on and off for each channel. 1st Long press means brightness+, 2nd Long press means brightness—.

At the corner of the panel there is a signal light, Blue means on, Red means off

Safety & Warnings

- 1) The product shall be installed and serviced by a qualified person.
- 2) IP20. Please avoid the sun and rain. When installed outdoors, please ensure it is mounted in a water proof enclosure.
- 3) Always be sure to mount this unit in an area with proper ventilation to avoid overheating.
- 4) Please check if the output voltage of any LED power supplies used comply with the working voltage of the product.
- 5) Never connect any cables while power is on and always assure correct connections to avoid short circuits before switching on.
- 6) Please ensure that the cable is secured tightly in the connector
- 7) For update information please consult your supplier.

Warranty Agreement

- 1) We provide lifelong technical assistance with this product:
 - 5-year warranty. We print date on every products, for example :1125 means year 2011, week 25. The warranty is for free repair or replacement and covers manufacturing faults only.
 - For faults beyond the 3-year warranty we reserve the right to charge for time and parts.
- 2) Limited Warranty
 - Any defects caused by wrong operation.
 - Any damages caused by unauthorized removal, maintenance, modifying, incorrect connection and replacement of chips.
 - Any damages due to transportation, vibration etc. after purchase.
 - Any damages caused by earthquake, fire, lightning, pollution and abnormal voltage.
 - Any damages caused by negligence, inappropriate storing at high temperatures and humidity or near harmful chemicals.
 - Product has been updated
- 3) Repair or replacement as provided under this warranty is the exclusive remedy to the customer.