

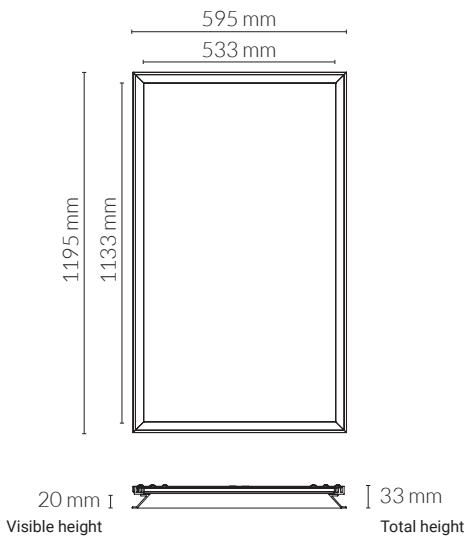
WINNER



GENERAL DETAILS

REFERENCE:	K50503
INSTALLATION:	Modular ceiling
FINISH:	White · Black · Grey · Gold · Blue · Aqua · Red · Flamingo · Green · Orange · Pink
MATERIAL:	Aluminium
IP DEGREE:	IP20
FORM:	Rectangular
LIGHT DIRECTION:	Fixed
REGULATION:	No dimmable · 1..10V · Push · DALI
OPTIC COVER:	Opal · Microprismatic · Sky
UTILIZATION:	Indoor
WARRANTY:	5 years

MEASURES



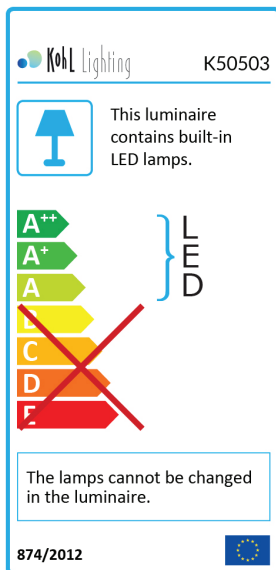
GENERAL DIMENSIONS

HEIGHT:	33 mm
MINIMUM DISTANCE TO ILLUMINATED OBJECT:	0.5 m
MINIMUM HEIGHT OF FALSE CEILING:	58 mm

ELECTRICAL DETAILS

LAMP:	LED
PROTECTION CLASS:	□
WATTS:	72 W
EFFICIENCY 3000K OPAL:	78 lm/W
EFFICIENCY 4000K OPAL:	87 lm/W
EFFICIENCY 6000K OPAL:	90 lm/W
3000K lm OPAL:	5616 lm
4000K lm OPAL:	6264 lm
6000K lm OPAL:	6494 lm
EFFICIENCY 3000K MICROPR.:	74 lm/W
EFFICIENCY 4000K MICROPR.:	84 lm/W
EFFICIENCY 6000K MICROPR.:	86 lm/W
3000K lm MICROPRISMATIC:	5328 lm
4000K lm MICROPRISMATIC:	6048 lm
6000K lm MICROPRISMATIC:	6192 lm
EFFICIENCY 3000K SKY:	44 lm/W
EFFICIENCY 4000K SKY:	49 lm/W
EFFICIENCY 6000K SKY:	51 lm/W
3000K lm SKY:	3145 lm
4000K lm SKY:	3508 lm
6000K lm SKY:	3637 lm
ENERGETIC EFFICIENCY:	A+
DRIVER:	Included
mA:	900 mA
VOLTAGE:	230V
LIFE TIME:	50.000 h
CRI:	≥ 80

ENERGY LABEL



WINNER

